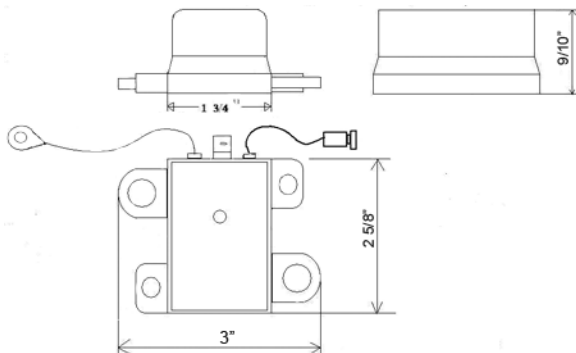


TECHNICAL SPECIFICATIONS

DIMENSIONS

Height: 9/10" Bar to bar: 3" Length 2 5/8" Weight - 468 grams.



CURRENT CONSUMPTION:

Current thru the SureStart for starting engine: 500A pick.

Constant current: 80A

In disconnected mode: less than 50 Micro A.

OPERATING TEMPERATURE RANGE:

-40°F to -221°F (40°C- 105°C).

StarterGuard is made of non-combustible materials (Nylon composition PA 66)

StarterGuard is fully waterproof IP66 according to standard SAE J4117 (Fully submerged)

PROGRAMMABLE FUNCTIONS

Power reset: By manual push button, to connect press the reset switch, to disconnect (Press and hold for 2.5 consecutive seconds) Length of wire 1 Meter.

Override: No override option.

BATTERY SAFETY WARNING!

When working with lead acid batteries and accessories, caution must be employed:

- Shield eyes. Do not open vent caps or puncture battery casing in any way.
- Sulfuric acid can cause blindness and severe burns.
- Rinse hands and flush eyes with water immediately.
- Avoid sparks, flames and smoking.

PROPOSITION 65 WARNING

Battery posts, terminals, and related accessories contain lead and lead compounds. Chemicals known to the State of California to cause cancer and reproductive harm. Wash hands after handling.